



# POOL BREAKDOWN



## WHISPERING WIND II 18' x 36' OVAL 54" STEEL TOP RAIL - STEEL VERTICAL

√	QTY	CARTON NUMBER	CARTON DESCRIPTION
	1	1-1836-901-820	ASSEMBLY PACK CARTON
	1	1-1800-904-813	VERTICAL PACK CARTON
	1	1-1204-905-816	TOP RAIL PACK CARTON
	1	1-1400-905-816	TOP RAIL SIDE CARTON
	1	1-2600-903-816	TOP CONNECTOR PACK
	2	1-8700-906-210	SIDEWALL CARTON
	2	1-2106-907	SIDE SUPPORT CARTON
	2	1-8888-006	SUPPORT BASE CARTON
	2	1-8801-605	SIDE VERTICAL EXT. CARTON



# CARTON BREAKDOWN

✓	ITEM	QTY	PART NUMBER	DESCRIPTION
<b>ASSEMBLY PACK # 1-1836-901-820</b>				
	3	11	583-1011	Stabilizer Rail (Large)
	4	11	583-1012	Stabilizer Rail (Small)
	5	14	580-2301	Vertical center section
	6	28	580-2260	Vertical End Cap
	7	12	580-2279	Side vertical end cap
	9	49	545-1001	Plastic coping
	10	12	589-1136	Bottom rail - stamped - L-18
	11	10	589-1201	Bottom rail - side - stamped L-S
	12	4	589-1135	Bottom rail - apex - stamped L-APEX
	13	10	583-1064	Side stabilizer rail
	14	284	330-1127	Sheet metal screw, #10 x 1/2"
	24	12	580-2055	Connector bracket
	25	12	580-1942	Stabilizer bracket
	—	1	573-4511	Pool Parts List
	—	1	573-3657	Installation Instructions
	—	1	— — —	Warranty Card
	—	1	573-3169	"Safety First" Booklet

<b>TOP RAIL PACK # 1-1204-905-816</b>				
	1	12	587-1413	Top Rail

<b>TOP RAIL SIDE PACK # 1-1400-905-816</b>				
	2	14	587-1414	Top Rail

<b>TOP CONNECTOR PACK # 1-2600-903-816</b>				
	8	26	340-2220	Top connector

<b>VERTICAL PACK # 1-1800-904-813</b>				
	26	28	580-2300	Vertical

<b>SIDEWALL CARTON</b>				
	37	2	1-8700-906-210	Sidewall
	38	2	535-1442	Protective Strip
	39	54	321-1029	1/4-20 Hex Flange Locknut
	40	24	330-1280	1/4-20 x 1/2" Grade 5 Bolt
	—	2	560-1055	Warning Sign
	—	2	573-3169	"Safety First" Booklet
	—	2	573-3498	Safety DVD

WRITE SIDEWALL NUMBER HERE \_\_\_\_\_

WRITE SIDEWALL BOX SERIAL NUMBER HERE \_\_\_\_\_

**SUPPORT BASE PACK # 1-8888-006 (2 Required)**

46	12	580-1779	Skid support
47	12	580-2071	Ground support - top
48	12	580-2072	Ground support - bottom
49	12	580-2083	Pressure pad
50	12	580-2082	Pressure pad
51	12	580-1792	Btm rail locator & cover
52	72	510-1035	#12x3/4" hex washer head screw
53	48	330-1220	3/8"-16 x 3-1/2" hex head bolt
54	48	321-1069	3/8-16 hex nut
55	48	510-1018	1/4-20 x 1/2" hex head bolt - grade 5
56	48	511-1000	1/4-20 hex nut
57	72	330-1127	Sheet metal screw, #10 x 1/2"

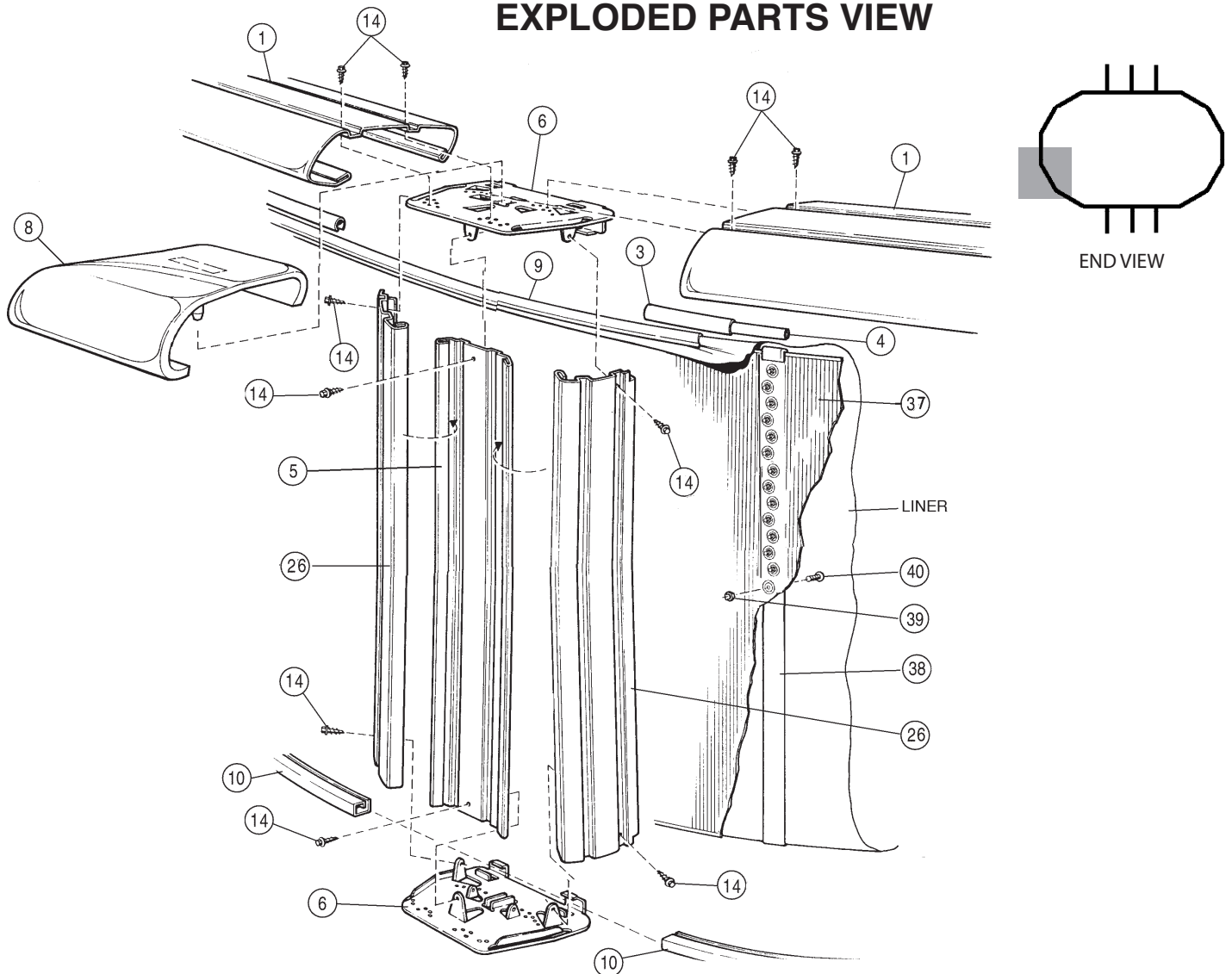
**SIDE SUPPORT PACK # 1-2106-907 (2 Required)**

58	12	580-2080	Side support
----	----	----------	--------------

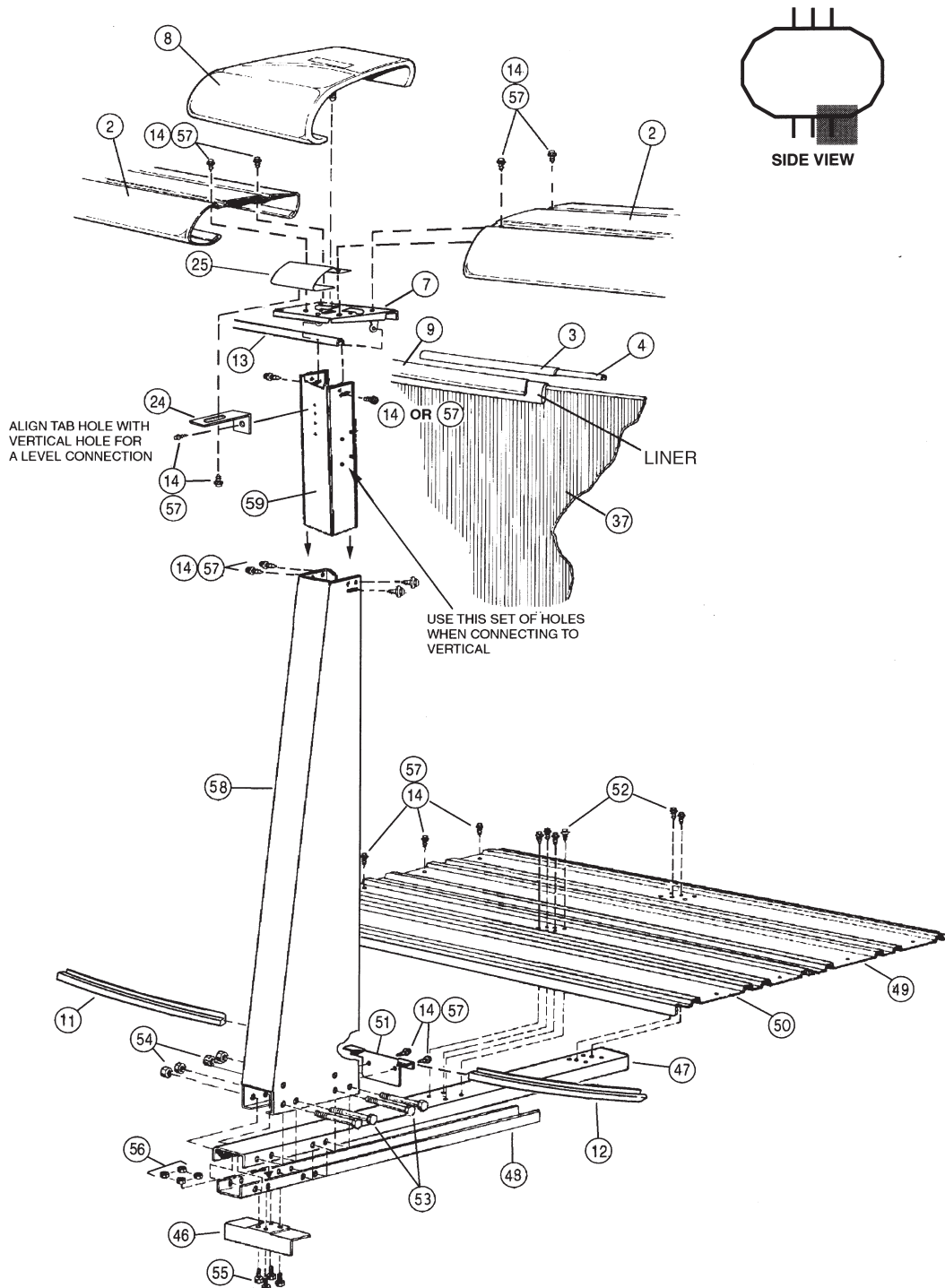
**SIDE VERTICAL EXT. PACK # 1-8801-605 (2 Required)**

59	12	580-2269	Side vertical extension
----	----	----------	-------------------------

**EXPLODED PARTS VIEW**



# EXPLODED PARTS VIEW



**Important!** Above-ground pools are designed for swimming and wading only. Do not Dive or Jump! Misuse of your pool may result in crippling injury and/or other dangers to life and health. Do not use slides, diving boards, or any other platform or object which can be used for improper pool entry. Use only an above-ground swimming pool ladder or entry system to enter or exit your pool. Never attempt to swim or reach behind ladders or any other pool entry system. It is the pool owner's responsibility to secure the pool against unauthorized, unsupervised or unintentional entry. It is also the pool owner's responsibility to warn all pool users of the hazards of diving into shallow water: paralyzing injury may result. Always obey all safety rules. Remember, pool safety is everybody's responsibility.

Safety decals and caution information provided with your pool have been endorsed by the U.S. Consumer Product Safety Commission. It is mandatory that the pool owner and installer follow the installation and use directions for all provided safety signs and decals. Juveniles must be supervised at all times by a responsible adult as directed by the USCPSC.

Change of Design: The manufacturer (HII) expressly reserves the right to change or modify the design and construction of any product in due course of their manufacturing procedures, without incurring any obligation to furnish or install such changes or modifications on products previously or subsequently sold.